

# YAESU FP-757HD HEAVY DUTY POWER SUPPLY

FOR THE FT-757GX HF TRANSCEIVER  
(ALSO FT-180, FT-180A, FT-77, FT-707)

The FP-757HD is an external AC power supply and speaker for use with the FT-757GX and other HF transceivers requiring 13.5 VDC at up to 20 amperes for extended periods.

Excellent regulation and conservative design assure the owner of many years of trouble-free operation, even in heavy duty applications, such as full power AM, FM or RTTY transmission. A thermally-switched cooling fan automatically activates during long periods of high current demand, to maintain safe operating temperature in the power supply.

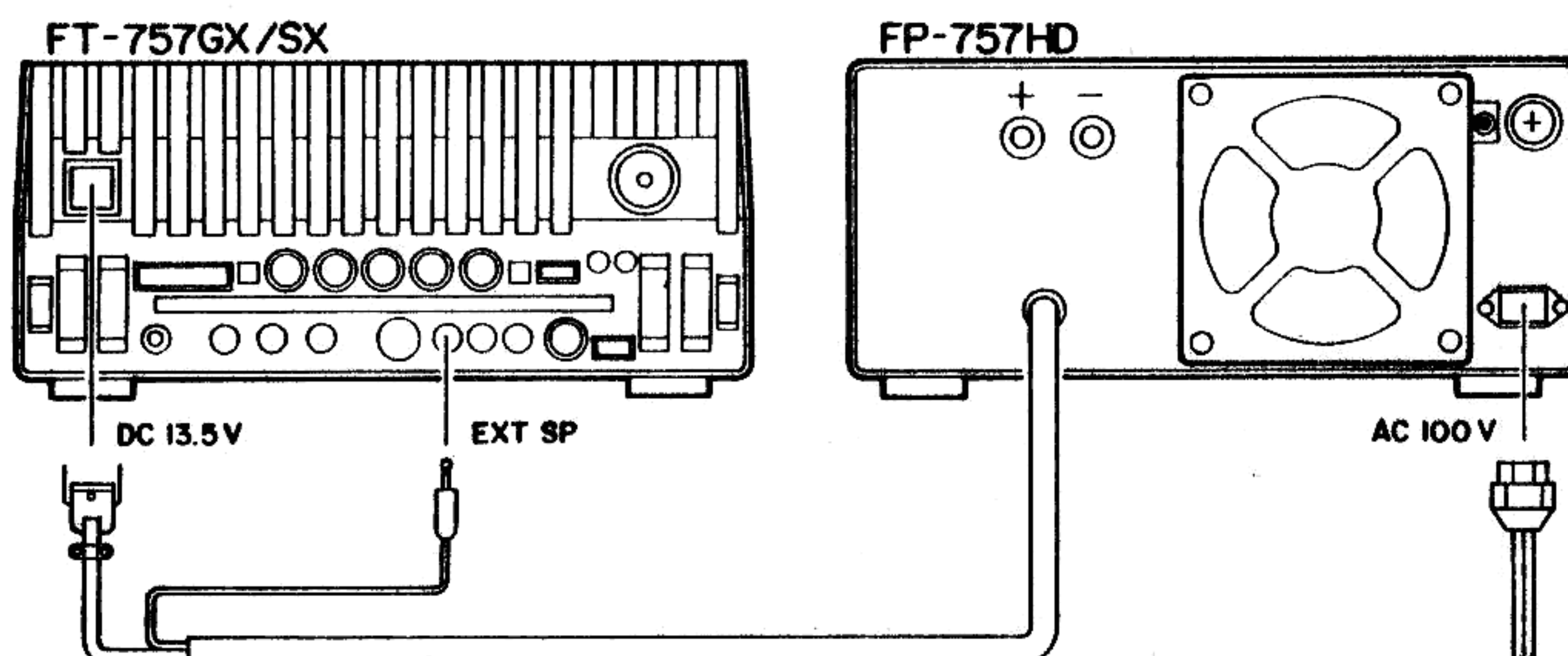
## SPECIFICATIONS:

Output voltage: 13.5 VDC  
Output current: 20 amps extended duty cycle (30 minutes on/30 minutes off)  
Ambient temperature: 0° to +40°C  
Input voltage: 100/110/117/200/220/234 VAC, 50/60 Hz  
Case dimensions: 93(H) x 240(W) x 235(D) mm  
Weight: Approx. 6.9 kg  
Speaker output: 3 watts at 4 ohms

## INSTALLATION

Before connecting the FP-757HD to any power source, be absolutely certain that the voltage specification on the rear panel matches your local supply voltage. The FP-757HD is manufactured for use around the world, from a variety of AC power sources, and the power transformer primary must be connected properly as shown on the reverse side of this page to prevent damage to the internal circuitry.

Also, be absolutely certain to use a fuse of the proper rating. For 100/110/117 VAC, use only a 6-amp fuse. For 200/220/234 VAC, use only a 3-amp fuse.



## WARNING

OUR WARRANTY DOES NOT COVER DAMAGE CAUSED BY  
IMPROPER SUPPLY VOLTAGE NOR USE OF AN IMPROPER  
FUSE.

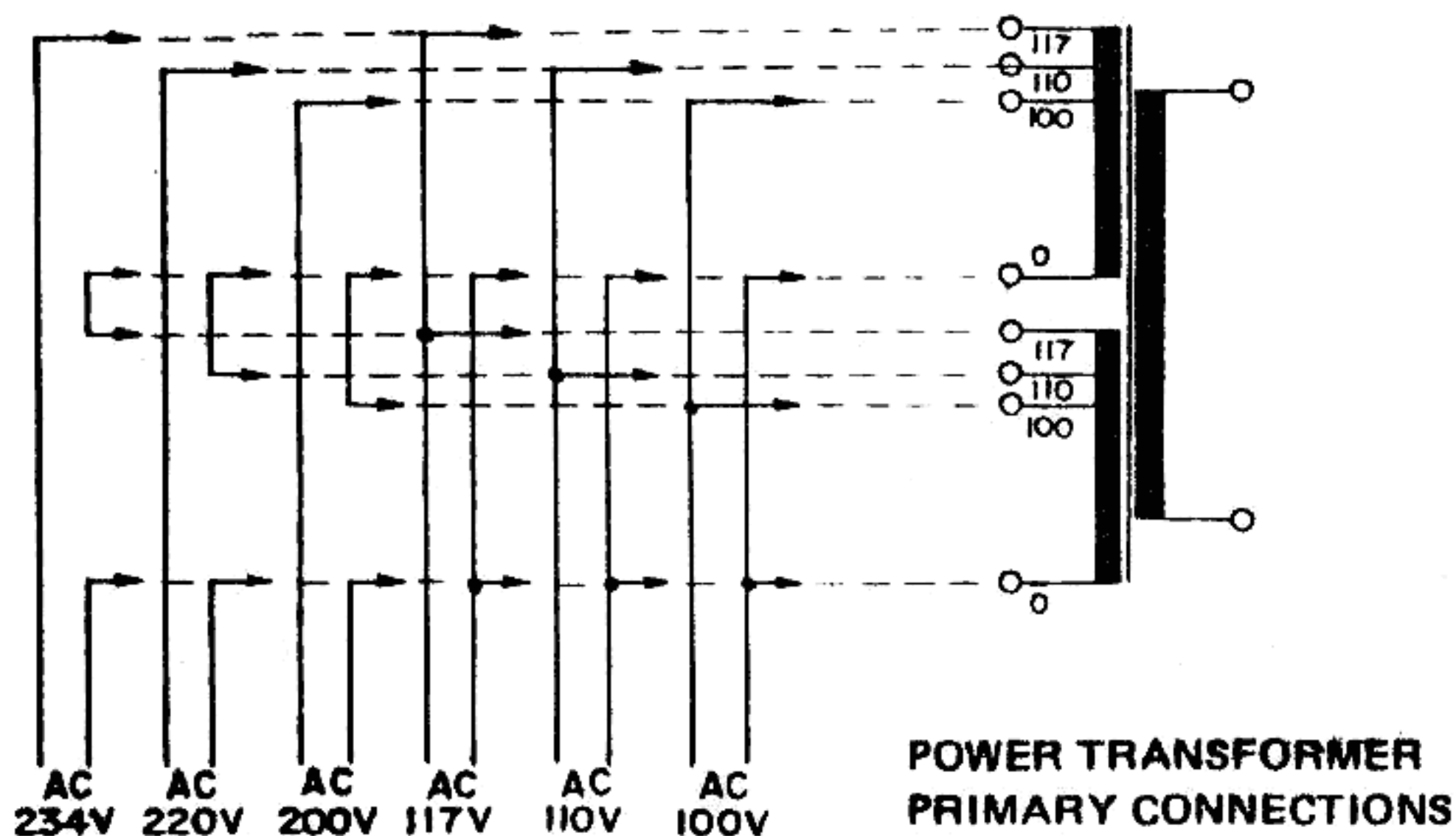
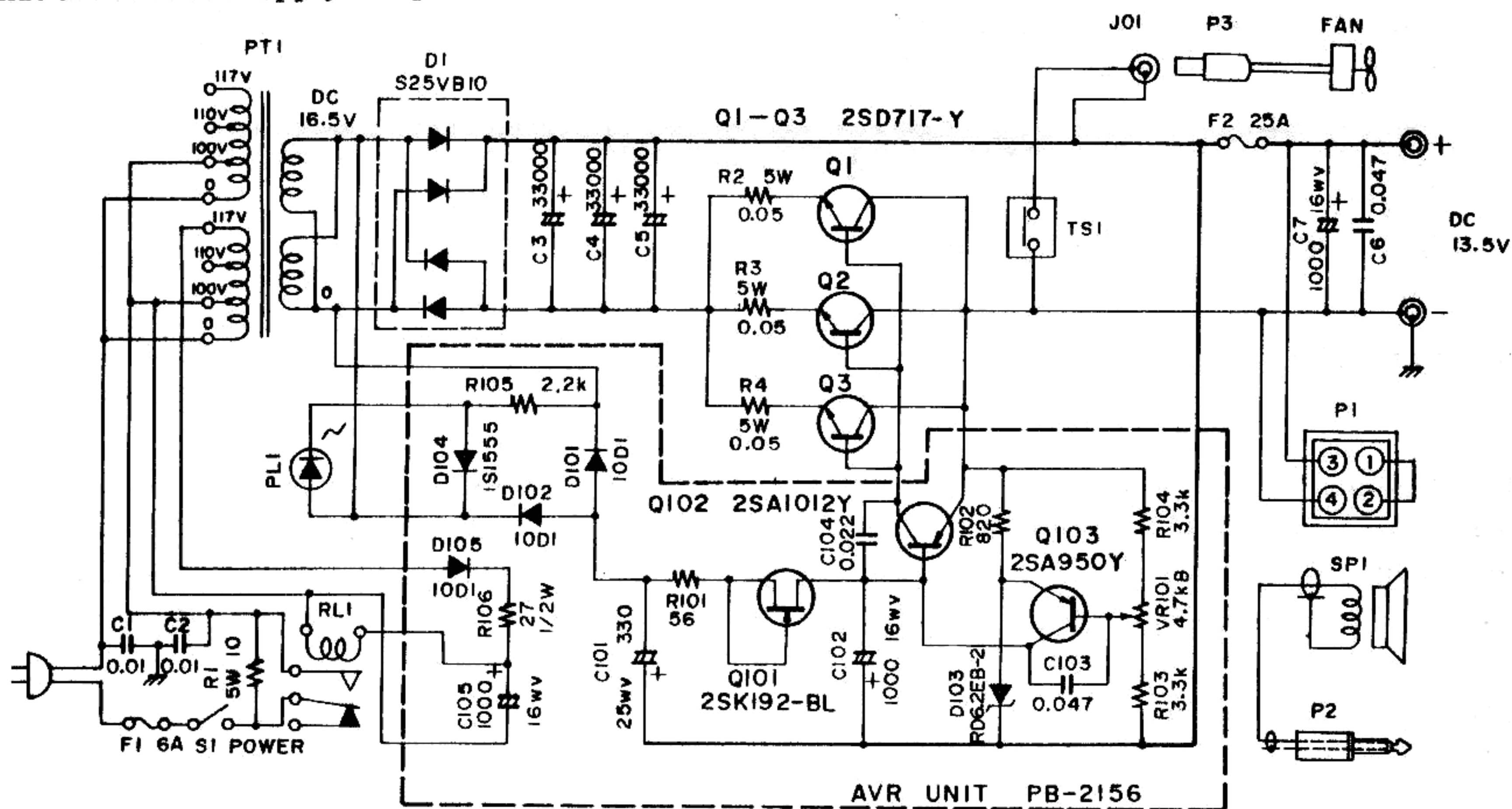
When all inspections have been completed, proceed with installation. Referring to the drawing, connect the output cable from the FP-757HD to the DC 13.5V jack on the rear panel of the transceiver.

The speaker plug may be connected to the rear panel SP jack on the transceiver, if desired. Connection of this plug to the SP jack automatically disables the internal speaker of the transceiver.

On the rear of the FP-757HD, check to ensure that the FAN lead is connected to FAN jack. The cooling FAN will thus be controlled by the thermal switch.

Turn the FP-757HD power switch ON to activate the power supply. Always turn the FP-757HD power switch on before turning on the transceiver power switch. Do not transmit full power continuously for more than 30 minutes. If a transmission requires more time, reduce the output power 50%.

Do not switch the FP-757HD OFF if the cooling fan is running. Wait until the fan stops, indicating that the internal supply temperature has been reduced to a normal level.



**FP-757HD**  
CIRCUIT DIAGRAM

**POWER TRANSFORMER  
PRIMARY CONNECTIONS**